



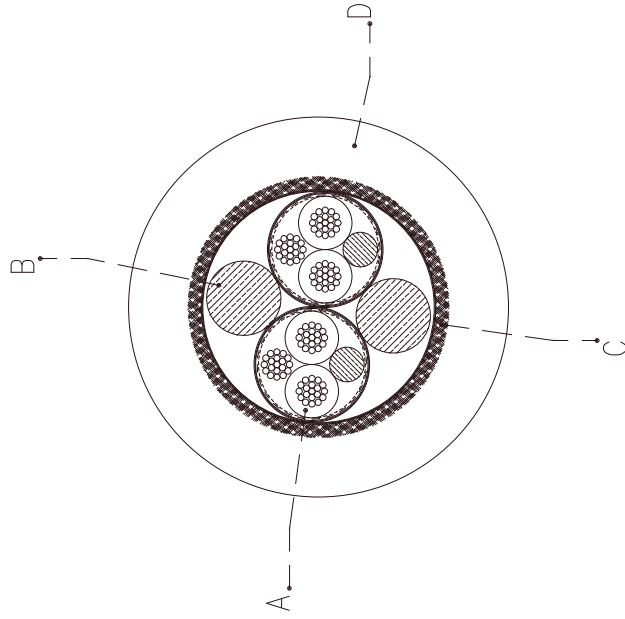
**Cortland**  
**FIBRON BX**



This drawing is the exclusive property of Cortland Fibron BX Ltd and must not be copied or reproduced, in any way whatsoever without the express consent, in writing, of Cortland Fibron BX Ltd. The drawing is to be used for the purpose for which it is supplied and must be returned on demand. The contents of the drawing must, moreover, be treated as strictly confidential and must not be disclosed to any third party without the express consent, in writing, of Cortland Fibron BX Ltd.

REVISIONS HISTORY

02	LATEST REVISION	18/11/05



Assembly Detail:—

- A) 2 off individually screened 0.5 mm<sup>2</sup> twisted pairs.  
Screens comprise polyester/aluminium laminate tape and tinned copper drain wire.
- B) Fibre filler elements.
- C) Braided polyester fibre reinforcement.
- D) Solid filled polyurethane sheath,  
(1.7 mm nominal thickness).

Nominal Mechanical Characteristics:—

- Finished diameter: 11.0 mm.
- Weight in air: 120 kg/km.
- Weight in sea—water: 25 kg/km, (note 1).
- Minimum bend radius: 75 mm, (static).
- Minimum bend radius: 110 mm, (dynamic).
- Minimum breaking load: 4.9 kN.

Note 1) Assumed sea—water density = 1,026 kg/m<sup>3</sup>.

**Cortland Fibron BX Ltd.**

Unit C, Belcon Ind. Est.  
Bingley Road, Hoddesdon,  
Hert's, EN11 0NX

Tel: +44 (0) 1992 471444  
Fax: +44 (0) 1992 471555  
www.thecortlandcompanies.com

Unless otherwise specified,  
all dimensions are in mm.

All values nominal.

Drawing No:

**DCS0001**

Description:

**TWO PAIR COMM'S CABLE**

Rev:

**02**

Scale: N.T.S.

Date: 18th Nov, 2005.

Sheet:

1 of 1

Drawn: S.McQ.

Approved: